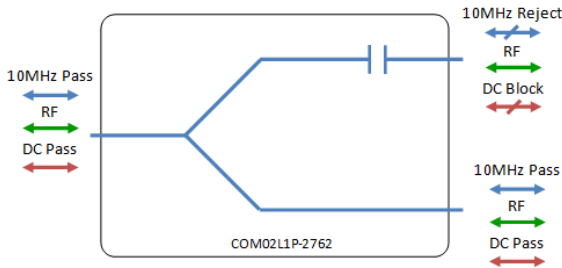




Model Number:  
**COM02L1P-2762**

Components  
RF Engineering by Design

## 2-Way Extended L-Band Passive Splitter/Combiner 850 - 2450MHz



- 10MHz & DC pass on single output port.
- High Current handling 5A

Available with RF connector options:

- 50 Ω SMA
- 50 Ω N-type
- 50 Ω BNC
- 75 Ω BNC



**850-2450 MHz**  
Operating frequency range.



**Compact**  
Housed in rugged compact enclosure

**Flexible Mounting**  
Tapped screw & through hole mounting options

Passive

### RF Parameters

COM02L1P-2762-XXXX	850 - 2150 MHz					850 - 2450 MHz					
	50Ω SMA	50Ω N-Type	50Ω BNC	75Ω BNC	75Ω F-Type	50Ω SMA	50Ω N-Type	50Ω BNC	75Ω BNC	75Ω F-Type	
Mean Insertion Loss (dB)	0.5 ± 0.4	0.5 ± 0.4	0.5 ± 0.4	0.6 ± 0.4	0.6 ± 0.4	0.5 ± 0.4	0.5 ± 0.4	0.5 ± 0.4	0.6 ± 0.4	0.6 ± 0.4	
Flatness ± (dB)	0.4	0.4	0.4	0.8	0.8	0.5	0.5	0.5	1.0	1.0	
Input Return Loss (dB)	Typ. Min.	18	18	18	14	14	18	18	18	14	14
		14	14	14	8	8	14	14	14	8	8
Output Return Loss (dB)	Typ. Min.	20	20	20	14	14	20	20	20	14	14
		14	14	14	8	8	14	14	14	8	8
Isolation (dB)	Typ.	25	25	25	25	25	22	22	22	18	18
Amplitude Balance (dB)		0.3	0.3	0.3	0.5	0.5	0.3	0.3	0.3	0.5	0.5

The given Insertion Loss specified is the loss above the theoretical limit for a lossless divider  
10MHz Insertion Loss is up to 3dB above the theoretical loss\*  
10MHz Rejection is 20dB\*  
\*To ports which are applicable

### Broadcast



### Marine Oil & Gas



### SNG & VSAT



### Satellite Teleport



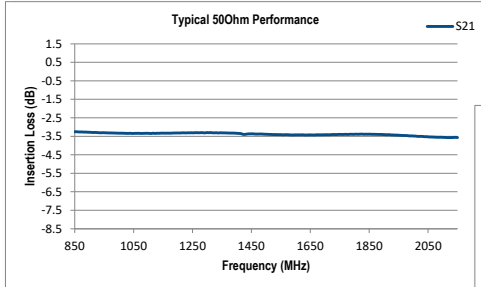


Components  
RF Engineering by Design

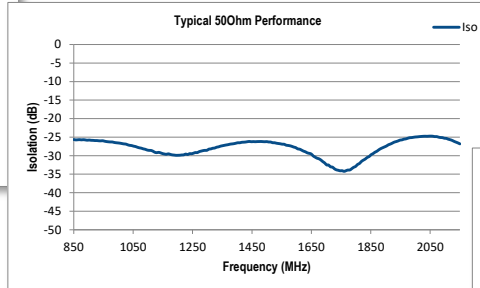
Model Number:  
**COM02L1P-2762**

2-Way Extended L-Band Passive Splitter/Combiner

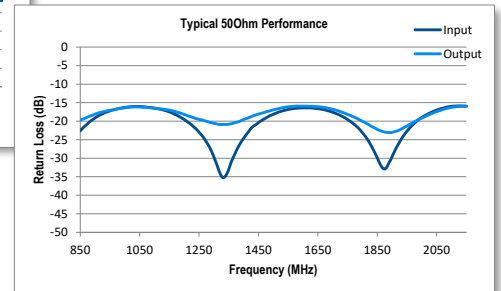
Technical specifications and operating parameters



Insertion Loss



Isolation



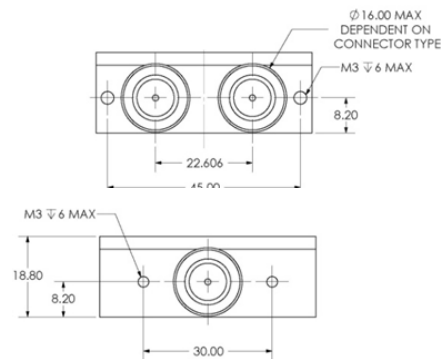
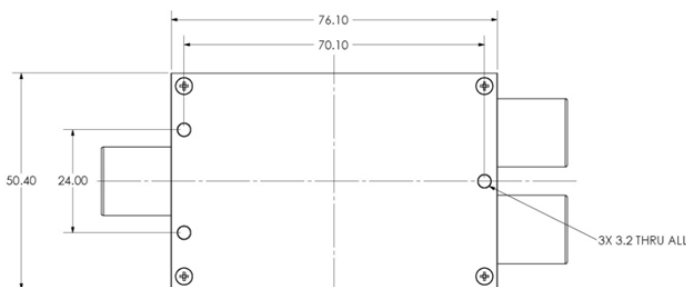
Return Loss

Environmental		
Operating Temperature		0°C to +45°C
Storage Temperature		-20°C to +75°C
Location		Indoor use Only
Humidity	Max	85% non-condensing
Altitude	Max	10,000 feet

Max Operating Parameters	
Input RF Power	+37dBm (5W) as splitter +27dBm (500mW) as combiner
DC Voltage	35V on any RF port
DC Current	5A Max
DC Consumption	N/A

**!** Operation beyond these limits may cause instantaneous and permanent damage.

Physical Dimensions (mm)



Note: The specification is subject to regular reviews and will be updated from time to time as part of our continuing product development and improved specification accuracy.

ETL SYSTEMS LIMITED  
Coldwell Radio Station  
Madley  
Hereford  
England HR2 9NE

TELEPHONE  
+44 (0)1981 259020  
  
EMAIL  
info@etlsystems.com

FACSIMILE  
+44 (0)1981 259021  
  
WEB  
www.etlsystems.com

